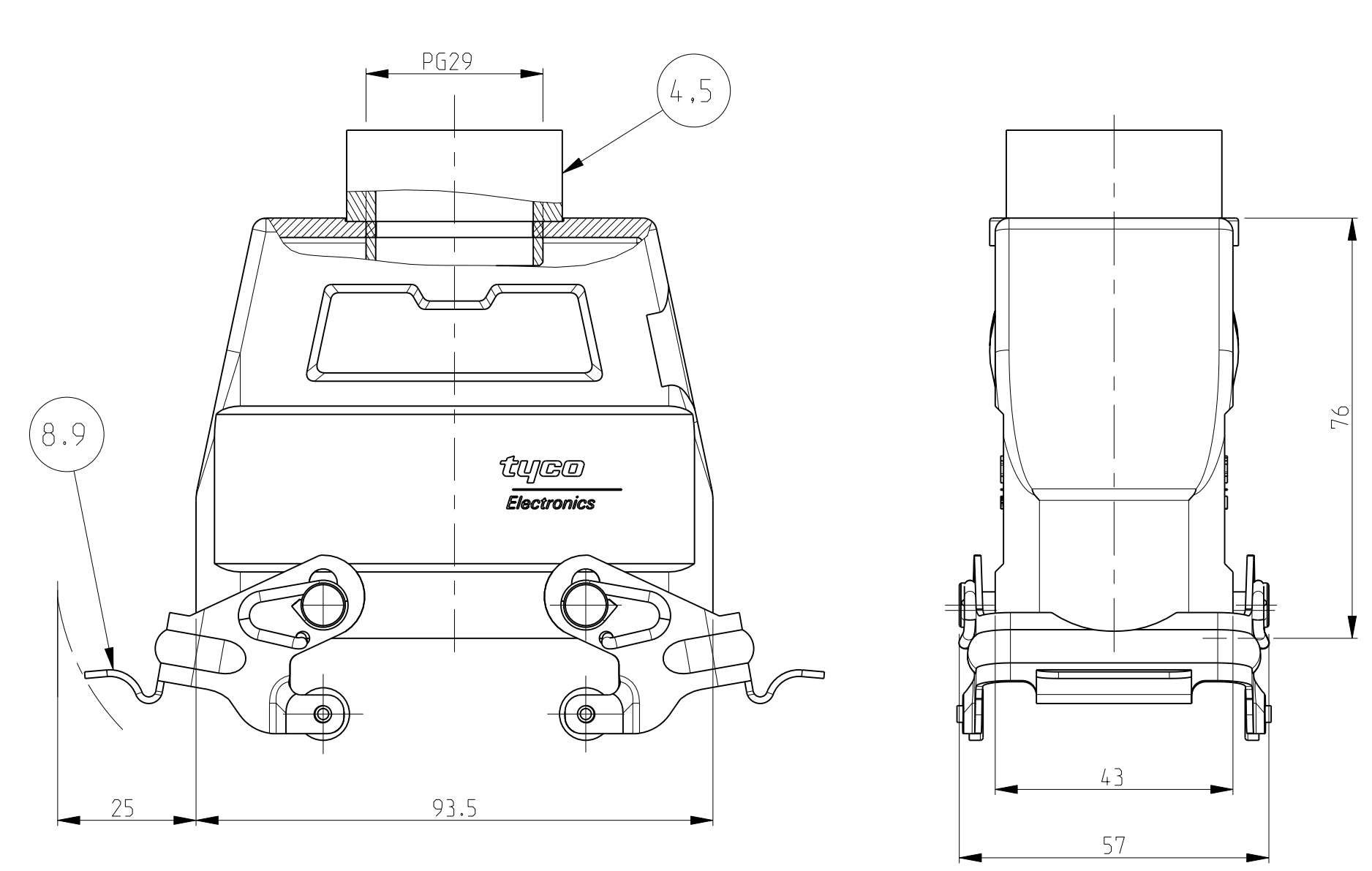
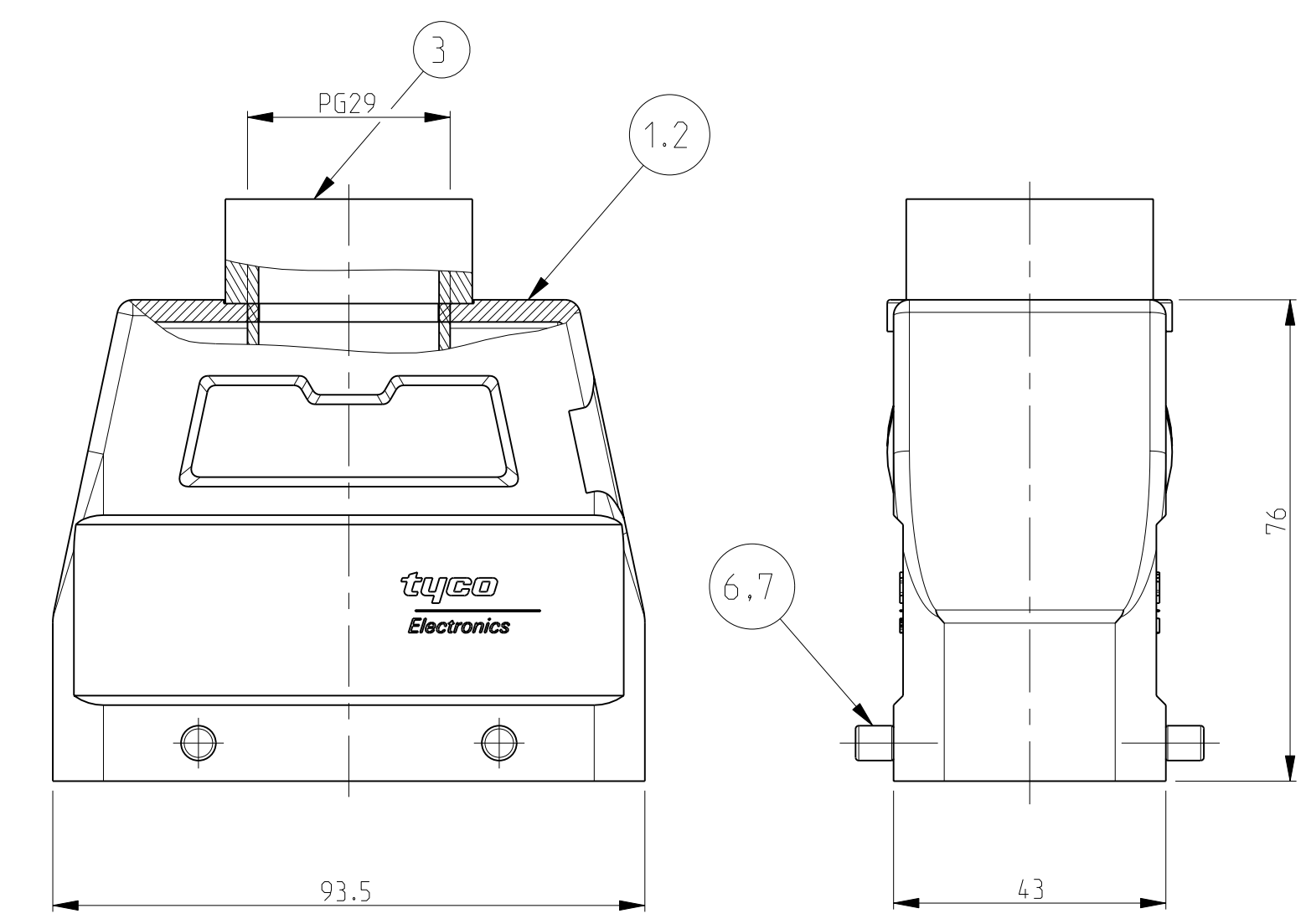


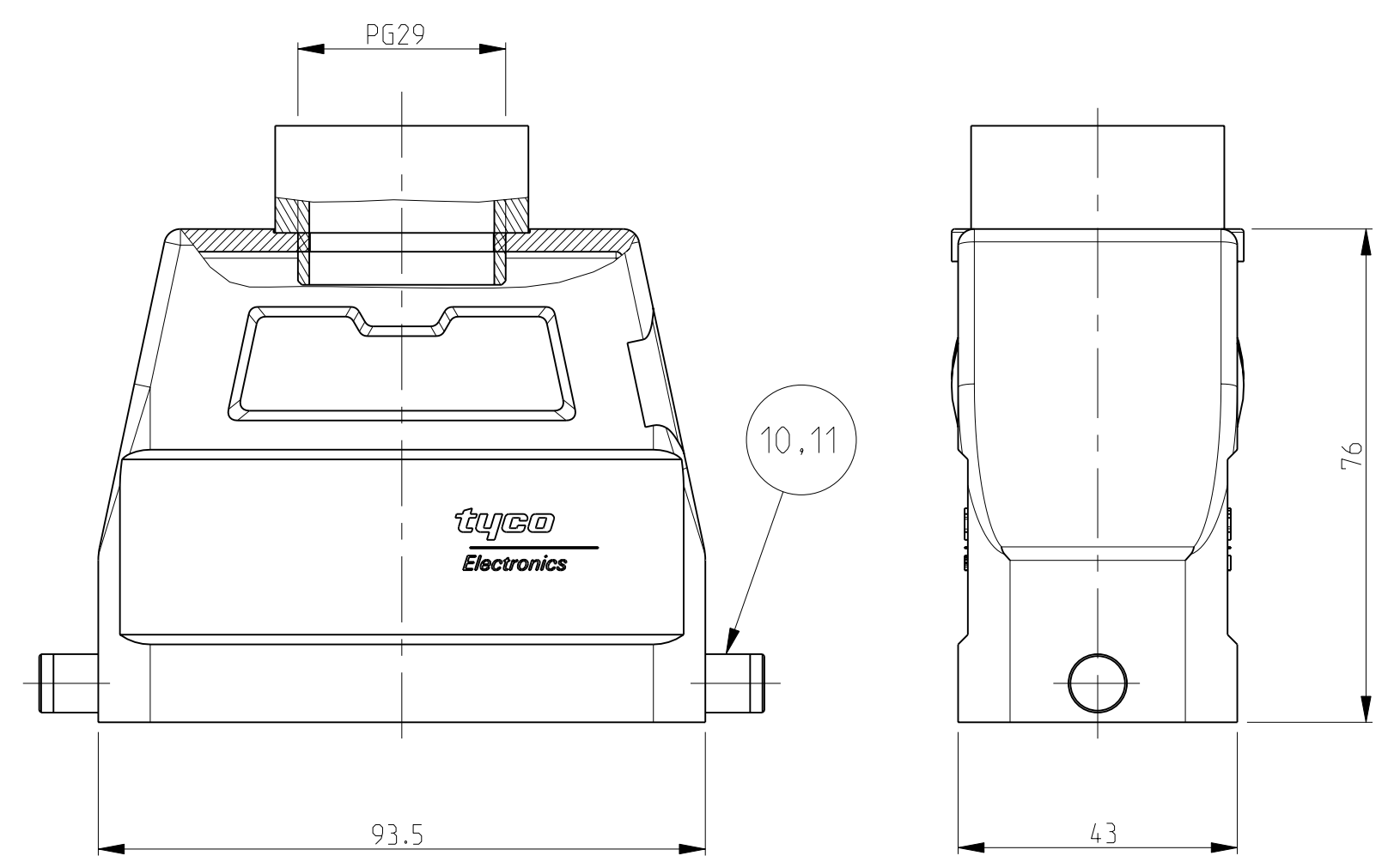
PN 1-1



PN 1-6 & 7-6



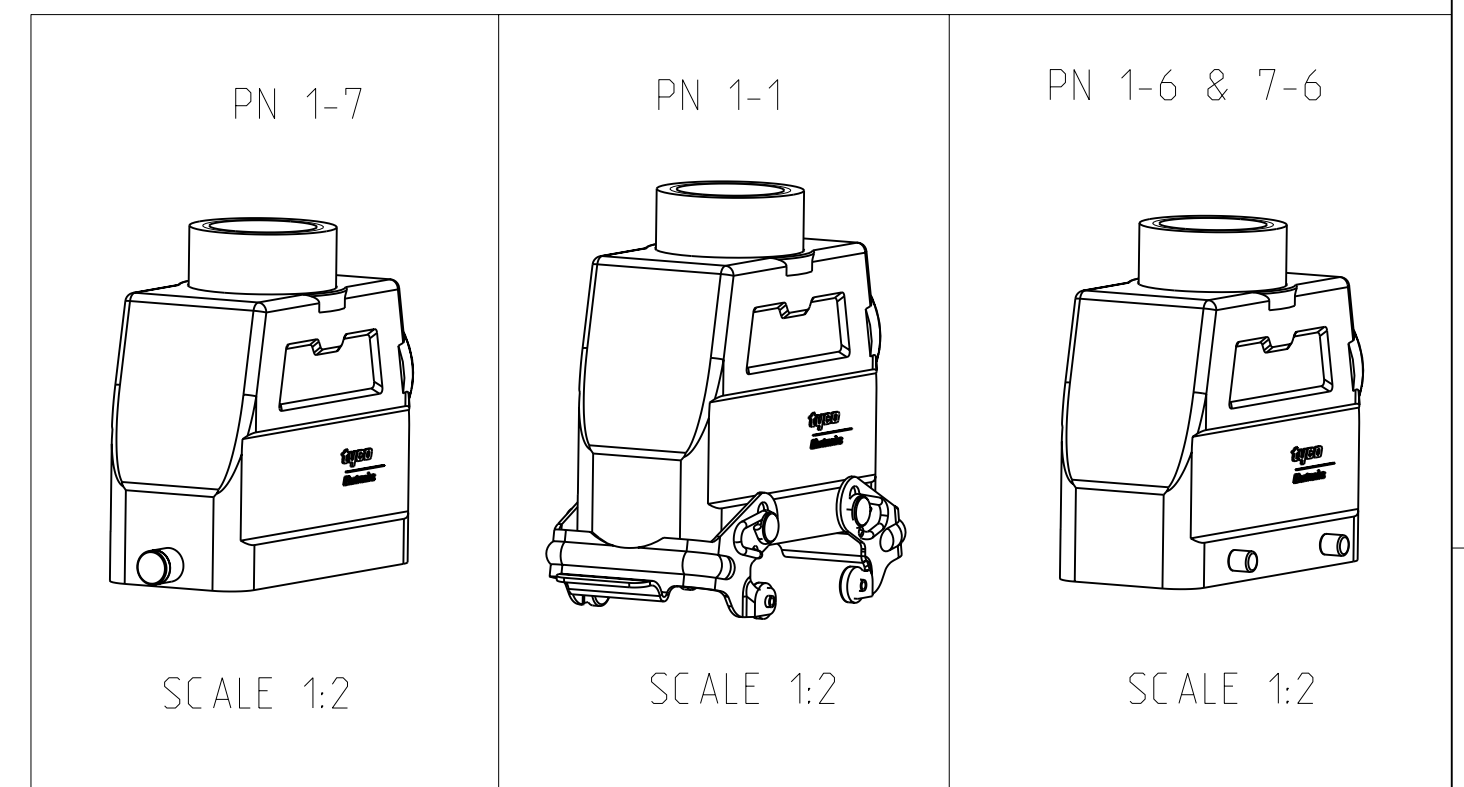
PN 1-7



LOC	DIST	REVISIONS					
A	I	P	LTB	DESCRIPTION	DATE	DWN	APVD
		B5		Released as per ECR-07-012890	05-07-07	SK	TS

NOTES

- 1 Material: Housing: aluminium diecasting alloy
- 2 Surface:- Powder varnish :grey
 :Black
- 3 Varnish on the inside not necessary
- 4 Packaging quantity: 5 pieces



QTY	DESCRIPTION	MATERIAL	SURFACE	COLOR	ITEM NO	NOTES
2	LB-clip bolt	Stainless steel	-	-	11	-
2	LB-clip bolt	Steel	Zinc plated	Blue	10	-
2	VS-side clip	Stainless steel	-	-	9	-
2	VS-side clip	Steel	Zinc plated	Blue	8	-
4	VS-clip bolt	Stainless steel	-	-	7	-
4	VS-clip bolt	Steel	Zinc plated	Blue	6	-
1	O Ring Pg29	Neoprene	-	Black	5	-
1	Adapter 6kt Pg29	Brass	Nickel plated	-	4	-
1	Adapter Pg29	Brass	Nickel plated	-	3	-
1	Hood HD.40.Pg.1.29	Aluminium	-	Black	2	-
1	Hood HD.40.Pg.1.29	Aluminium	-	Grey	1	-

ORDERING TEXT

- HD.40.Sto 1.29.Z
- HD.40.Sto 1.29.Z.So
- HD K40.Sto 1.29.Z
- HD .40.Sto-VS.1.29.Z
- HD K40.Sto VS.1.29.Z
- HD .40.Sto-GR.1.29.Z
- HD K40.Sto GR.1.29.Z

DIMENSIONS: mm 		TOLERANCES UNLESS OTHERWISE SPECIFIED: 0-9 mm ±0.15 1-9 mm ±0.2 1-9 mm ±0.3 1-9 mm ±0.4 1-9 mm ±0.5 1-9 mm ±0.6 1-9 mm ±0.7 1-9 mm ±0.8 1-9 mm ±0.9 1-9 mm ±1.0 1-9 mm ±1.2 1-9 mm ±1.5 1-9 mm ±2.0 1-9 mm ±2.5 1-9 mm ±3.0 1-9 mm ±4.0 1-9 mm ±5.0 1-9 mm ±6.0 1-9 mm ±8.0 1-9 mm ±10.0 1-9 mm ±12.0 1-9 mm ±15.0 1-9 mm ±20.0 1-9 mm ±25.0 1-9 mm ±30.0 1-9 mm ±40.0 1-9 mm ±50.0 1-9 mm ±60.0 1-9 mm ±80.0 1-9 mm ±100.0 1-9 mm ±120.0 1-9 mm ±150.0 1-9 mm ±200.0 1-9 mm ±250.0 1-9 mm ±300.0 1-9 mm ±400.0 1-9 mm ±500.0 1-9 mm ±600.0 1-9 mm ±800.0 1-9 mm ±1000.0		DWN: 12.11.1997 CBY: C.Kramer DATE: 23.06.98 APVD: - NAME: - PRODUCT SPEC: - APPLICATION SPEC: - WEIGHT: - CUSTOMER DRAW ING: -		Tyco Electronics Tyco Electronics, AMP GmbH D-53819, Neunkirchen, Germany HOOD HD.40 HD.40.STO.1.29.Z SIZE: A 00779 C=1102572 SCALE: 1:1 SHEET: 1 OF 1 REV: B5	
--------------------	--	--	--	---	--	--	--